

doc.m value pack

complete unit complies with Building Regulations Document M dimensions



Doc.M value pack with white grab rails & seat



Doc.M value pack with blue grab rails & seat



Doc.M value pack with grey grab rails & seat

to specify/order:

Please use the eight character reference shown below.

Doc.M value pack

With white grab rails and seat

PK8184WH

With blue grab rails and seat

PK8184BE

With grey grab rails and seat

PK8184GY

comprising components

Avalon HO pan

Doc.M value cistern, fittings and standard lever

Doc.M seat ring, stainless steel hinge

Doc.M 360 Handrinse basin, 2 tap including fixings

Tap hole stopper for handrinse basin

Spray mixer lever operated

Mixing valve - thermostatic TMV3

5 Doc.M support rails

Doc.M hinged support rail and toilet roll holder

Pan fixings

Cistern cover clips



note

The products included in the set and the layout details are in accordance with those laid down in the BUILDING REGULATIONS APPROVED Document M (2004 edition) published 3rd May 2006.

wc outlet connector

P trap outlet connector

WF1240WH

S or turned P trap connector

WF1241WH

applications

Disabled toilet accommodation in offices, shops, factories, educational buildings or any premises to which the public is admitted.

approvals

LABC (LANTAC) certificate, ref: 469-5-20

WRAS

TMV3

material

Vitreous china.

Grab rails in powder coated steel.

colours

Vitreous china in white only.

Rails and seat in white, blue or grey.

fixings

Fixing instructions, layout details and

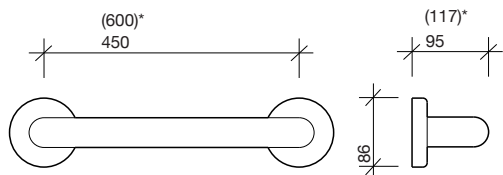
LABC registered solution (LANTAC) certification

are provided with each pack.

avalon support items

to specify/order:

Please use the six character reference shown below and enter the two digit colour reference at the end to complete the part number



Grab rails

grab rail

Grab rail 450mm long
Grab rail 600mm long

AV4901..
AV4902..

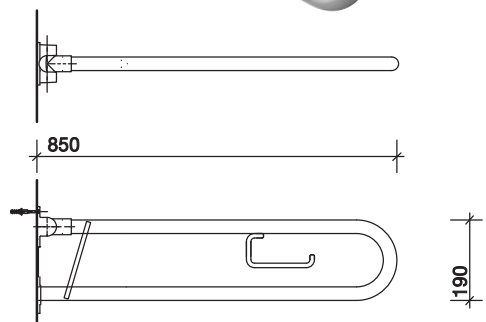
applications

All situations. Concealed fittings.

material - Polyester coated aluminium.

colours - White WH, blue BE or grey GY.
(Blue RAL 5011, Luminance Values 27.3)
(Grey RAL 7005, Luminance Values 20)

fixings Secure rail to wall using suitable fixings for wall structure.



Hinged support rails

hinged support rail

With toilet roll holder
without toilet roll holder

AV4910..
AV4911..

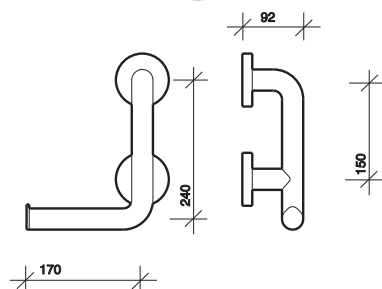
applications

For use in disabled toilet facilities.
Available with or without toilet roll holder.

material - Polyester coated aluminium.
colours - White WH, blue BE or grey GY.
(Blue RAL 5011, Luminance Values 27.3)
(Grey RAL 7005, Luminance Values 20)

fixings This fixture must be securely fixed to a solid wall. For all other wall types the rail must be secured to a suitable structural member using appropriate wall fixings. Full instructions are included in each pack. (Fixings not supplied).

note This item folds up against the wall to provide wheelchair access (as required by building regulations M3).



Support toilet roll holders
RH and LH

support toilet roll holder

Right hand vertical
Left hand vertical

AV5908WH
AV5909WH

applications

Combined toilet roll holder and grab rail to assist elderly/infirm or disabled people in rising from the WC available handed. Concealed fittings.

material - Polyester coated aluminium.
colours - White WH.

fixings Secure rail to wall using suitable fixings for wall structure.

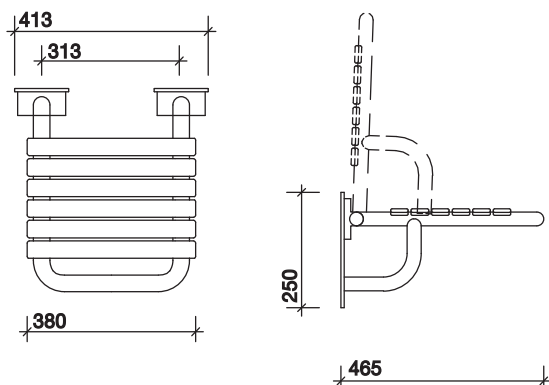
note It is recommended that the toilet roll holder is positioned on the side wall approx 100mm in front of the WC and 200mm above the seat. The vertical bar should be nearest the WC with the horizontal pointing away from the WC.

All measurements shown are in millimetres. Drawing sizes are not to scale.

avalon support items

to specify/order:

Please use the six character reference shown below and enter the two digit colour reference at the end to complete the part number



Shower seat

shower seat

AV7800..

applications

General purpose shower seat, extra width suitable for disabled people.

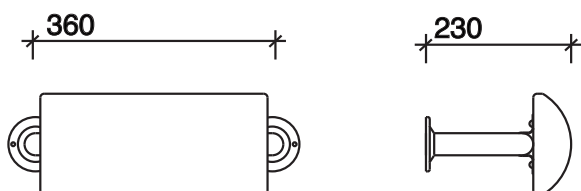
material - Polyester coated aluminium frame with plastic slatted seat.

colours - White WH, blue BE.

(Blue RAL 5011, Luminance Values 27.3)

fixings

This seat must be securely fixed to a solid wall using appropriate fixings (not supplied). The wall must be flat. Instructions are included in this pack.



Back rest

back support with cushion

AV4912..

applications

To provide back support for people using disabled WC facilities. Available with or without cushioned back rest. Concealed fittings.

material - Polyester coated aluminium.

colours - White WH or grey GY.

(Grey RAL 7005, Luminance Values 20)

fixings

Secure rail to wall using suitable fixings for wall structure.

All measurements shown are in millimetres. Drawing sizes are not to scale.

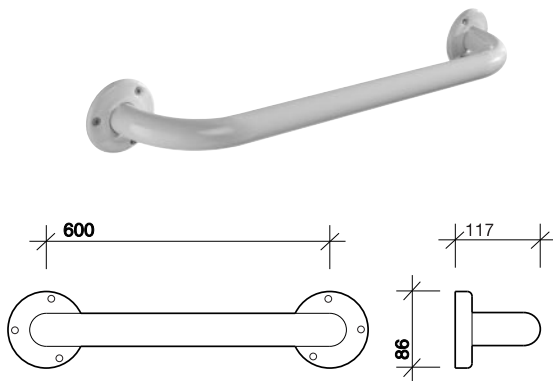
Lawton Road, Alsager, Stoke-on-Trent ST7 2DF, UK
 Tel: +44(0) 1270 879777 Fax: +44(0) 1270 873864
 www.twyfordbathrooms.com UK Technical Helpline Tel: 0870 840 0437 Fax: 0870 840 0438

Twyford
bathrooms

doc.m support items

to specify/order:

Please use the six character reference shown below and enter the two digit colour reference at the end to complete the part number



Grab rail

grab rail 600mm long applications **SR5902..**

All situations. Exposed fittings.

material

Powder coated steel.

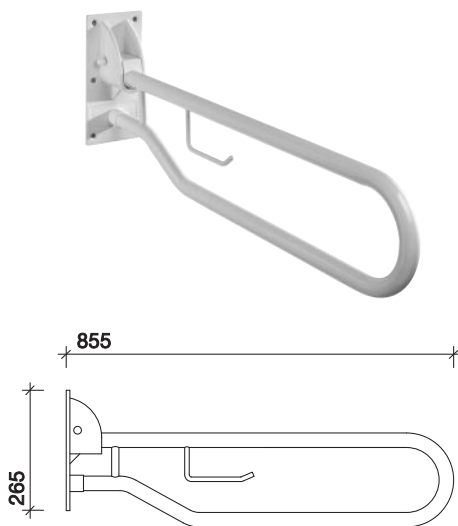
colours

White WH (White RAL 9003)

Blue BE (Blue RAL 5011)

fixings

Secure rail to wall using suitable fixings for wall structure.



Hinged support rail with toilet roll holder

hinged support rail with t/roll holder applications **SR5810..**

For use in disabled toilet facilities. Exposed fittings.

material

Powder coated steel.

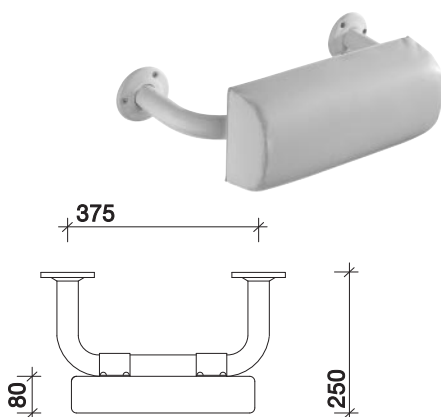
colours

White WH (White RAL 9003)

Blue BE (Blue RAL 5011)

fixings

Secure rail to wall using suitable fixings for wall structure.



Back support with cushion

back support with cushion applications **SR4912..**

For use in disabled toilet facilities. Exposed fittings.

material

Powder coated steel.

colours

White WH (White RAL 9003)

Blue BE (Blue RAL 5011)

fixings

Secure rail to wall using suitable fixings for wall structure.

All measurements shown are in millimetres. Drawing sizes are not to scale.